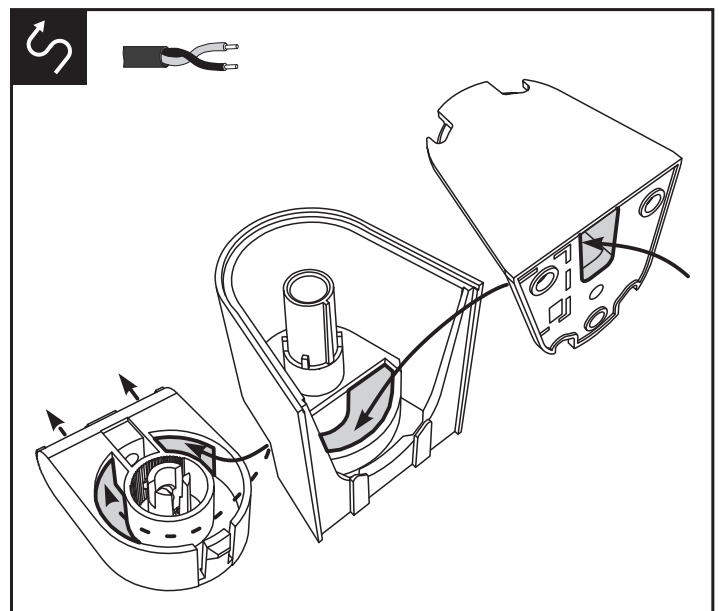
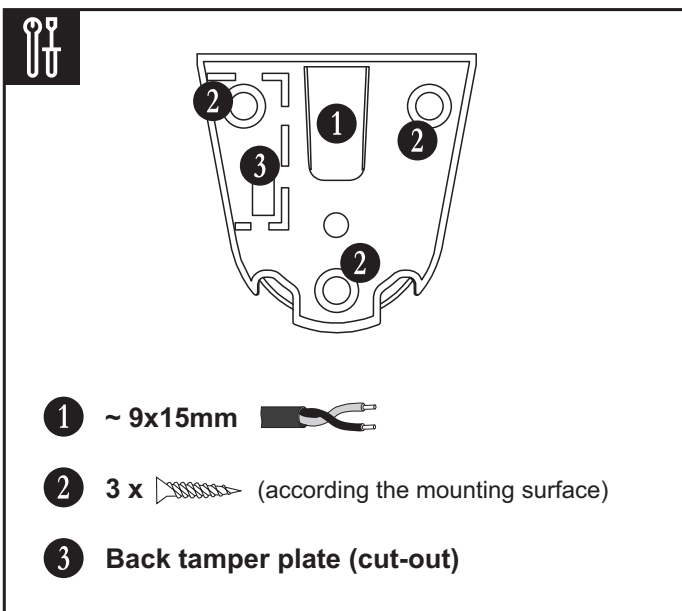
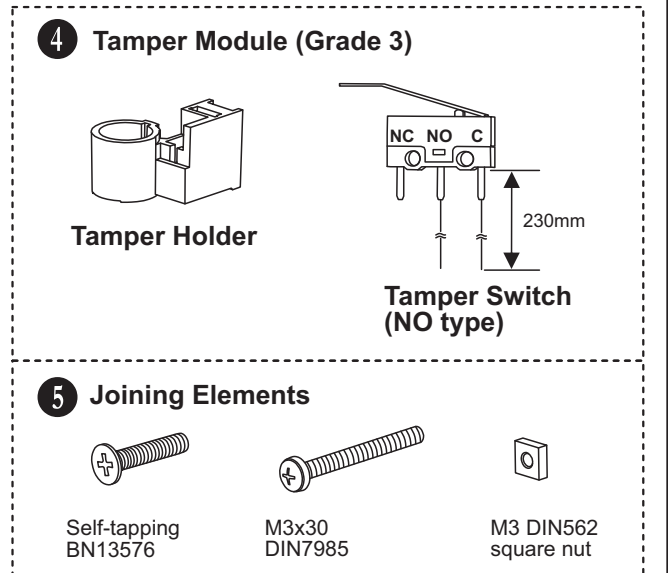
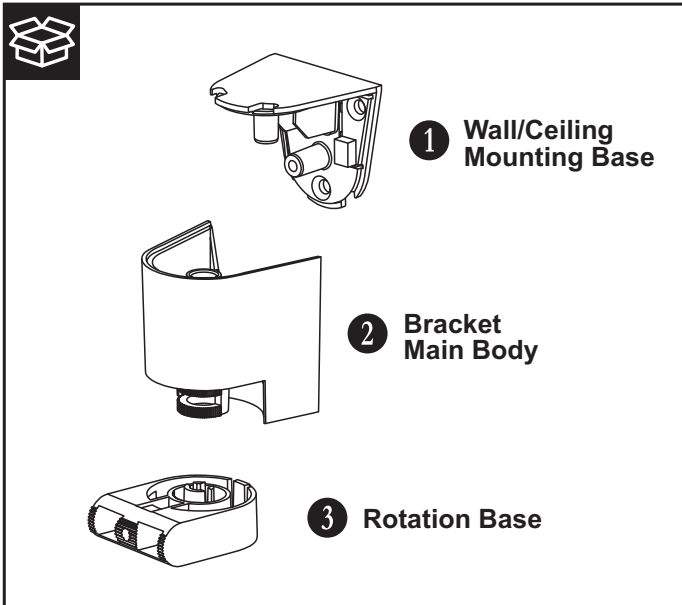
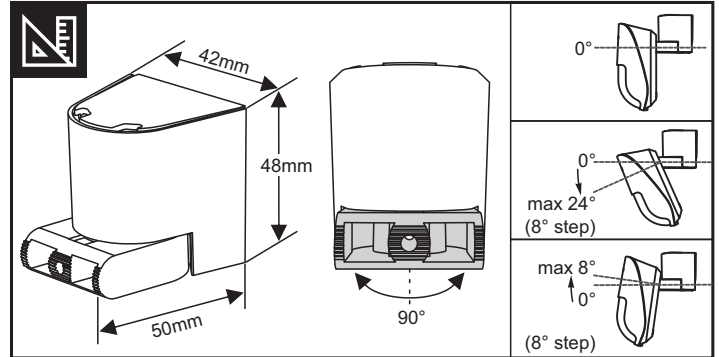
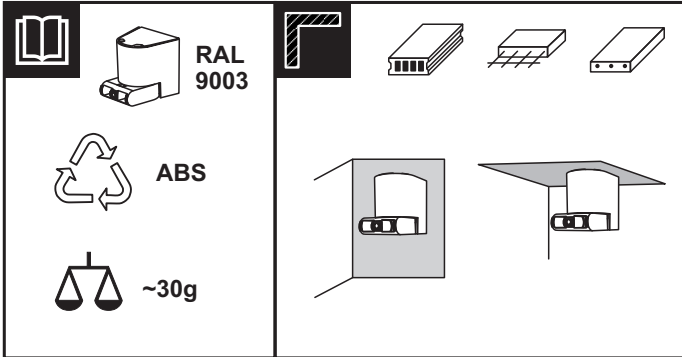


PIRIN Bracket

Wall/Ceiling Mounting Bracket for PIRIN PIR Detectors Series

TELETEK



Wall Mounting Tamper Module Assembling (Grade 3)

1

2

3

1

Ceiling Mounting Tamper Module Assembling (Grade 3)

1

2

3

2

1 Wall Mounting Assembling

1

2

3

Self-tapping BN13576

2 Ceiling Mounting Assembling

1

2

3

Self-tapping BN13576

3 Wall/Ceiling Mounting Final Assembling

1

2

3

M3 DIN562 square nut

Click!

4 PIRIN Detector Assembling

1

2

3

4

M3x30 DIN7985

Set the angle and tight the screw